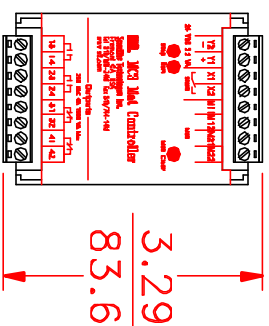
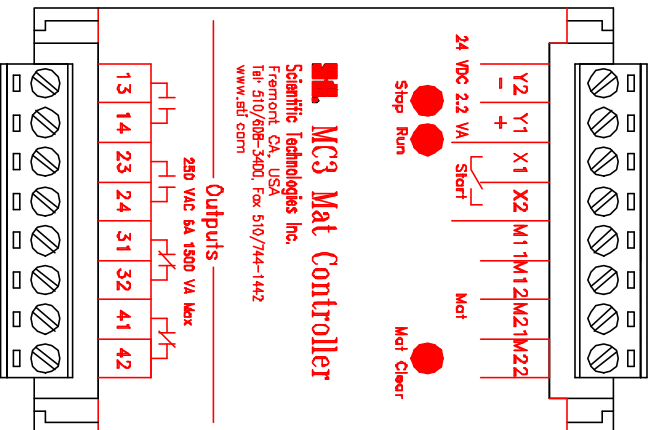
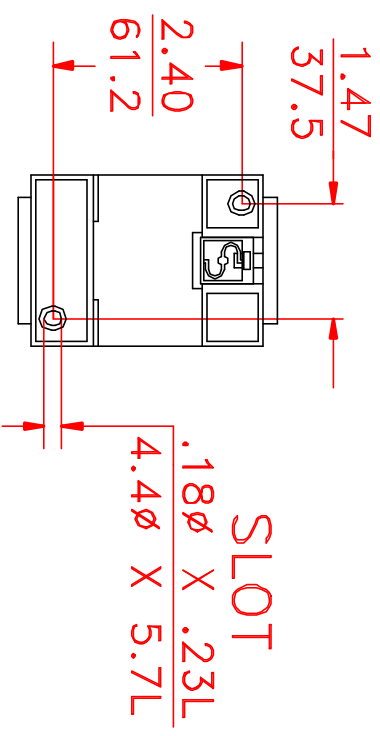


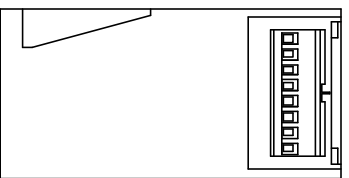
MC3 MAT CONTROLLER DIN RAIL BOX



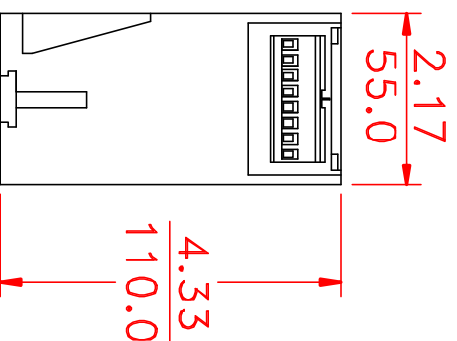
TOP VIEW



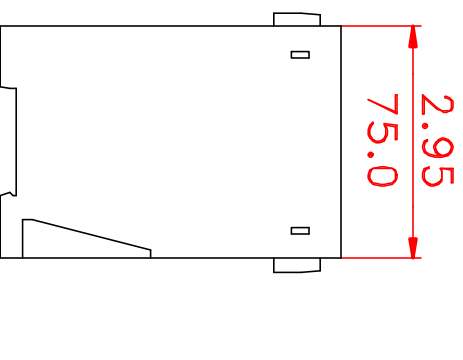
BOTTOM VIEW



BACK VIEW



FRONT VIEW



RT SIDE VIEW

DIMENSIONS: $\frac{\text{INCHES}}{\text{mm}}$ (+\ - .01) (+\ - .3)