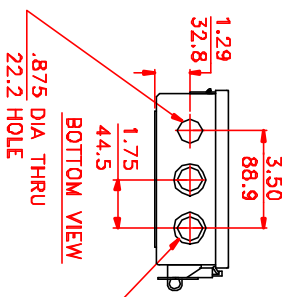
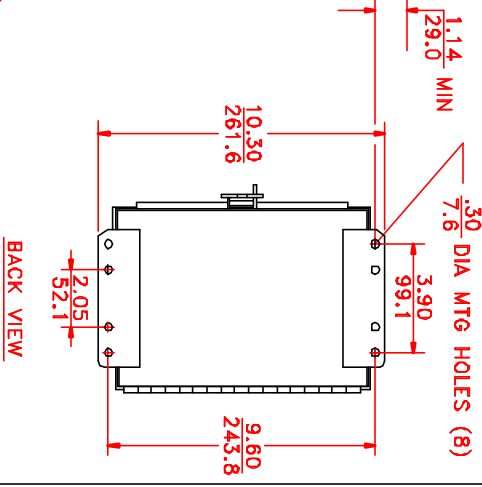
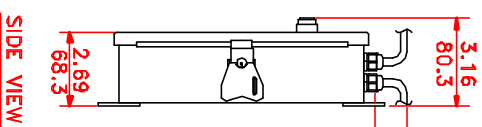
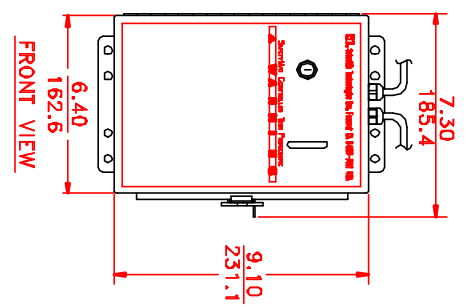
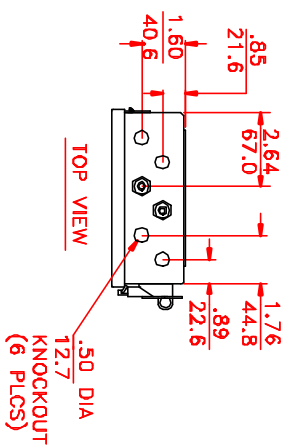
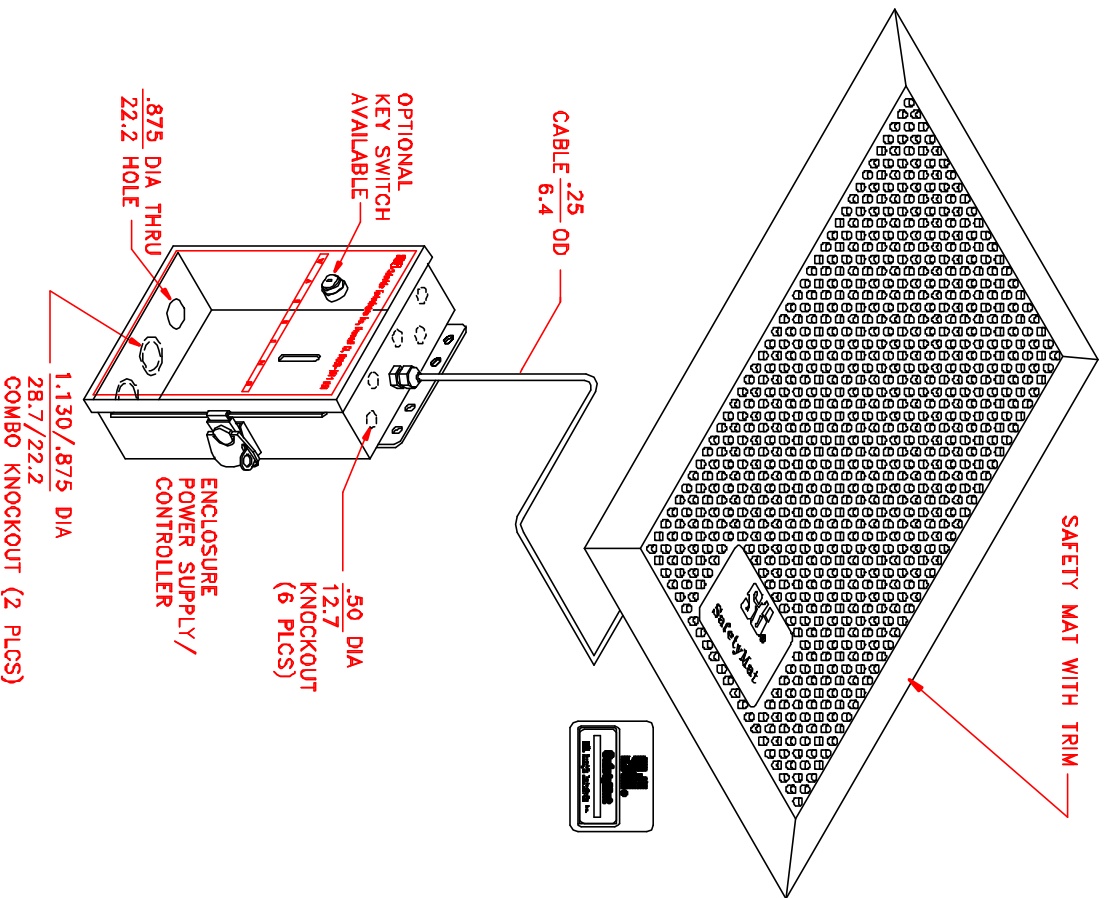


# DISCONTINUED MODEL (SERVICE ONLY)

ACAD FILE: (96)14401C.DWG (SCALE 1 : 1)

## SMC-2 SERIES SAFETYMAT CONTROLLER



DIMENSIONS:  
INCHES (+/- .01)  
mm (+/- .3)

TWO-DIMENSIONAL  
ISOMETRIC VIEW

STI ENCLOSURE BOX PART No: 14375-0030

DRAWN IN AutoCAD R14  
SAVED AS .DXF FILE TYPE  
FOR AutoCAD R12 AND UP